



# HS3660 Series

## Handheld Wired Industrial DPM Reader

HS3660 is an industrial wired handheld barcode reader with superior performance for various DPM (Direct Part Mark) barcodes reading occasions. HS3660 adopts multi-color intelligent switching Area Light Source, professional image processing and DPM decoding algorithm and industrial grade protection design. It can be used for diverse DPM code reading applications such as reflective, stained, low contrast, small-sized and punching code reading, in the field of automotive components, metal manufacturing industries.

### Product Features

#### ■ Powerful DPM decoding capability

Applicable for challenging DPM barcodes such as reflections, stains, low contrast and small sizes; Can be widely used in various DPM code reading applications such as automotive metal components, chip packaging and home appliance assembly, etc.

#### ■ Diverse feedback prompts

Simultaneously equipped with LED light prompts, buzzer prompts and vibration prompts, ensuring timely and accurate code reading feedback in noisy and applicable environments

#### ■ Multiple color intelligent switching illumination

Provide white point illumination, red and blue area illumination to handle barcodes on various materials and surfaces (such as reflective, different colors, metals, curved surfaces, etc.), automatically switch and match the best illumination scheme

#### ■ Industrial grade design that meets harsh environments

The body adopts IP67 protection rate  
Withstand multiple impacts of 1.2 meter drop to cement ground  
Sturdy and durable, minimizing failure rates and adapting to harsh industrial scenarios

### Industry Applications



Home appliances manufacturing



Electronics manufacturing



Automobile manufacturing



Aerospace manufacturing



Photovoltaic industry

## Technical Parameters

Sensor Type	CMOS sensor
Image Resolution	1280 x 1024
Acquisition Speed	Up to 60 frames per second
Viewing Angle	44° (Horizontal), 34° (Vertical)
Roll/ Pitch/ Yaw	360°(Roll), 65°(Pitch), 55°(Yaw)
Illumination Light Source	White point light source/ Red area light source/ Blue area light source
Aiming Mode	Laser aiming
Communication Interface	RS232, USB keyboard, USB COM
Operating Voltage	+5V±5%VDC
Standby Current	150mA
Operating Current	310mA
Consumption	1.55W
Housing Material	PC

Weight	352g
Dimensions (LxWxH)	191.8mm x 130.2mm x 76.9mm
Operating Temperature	0°C ~ +45°C
Storage Temperature	-10°C ~ +50°C
Relative Humidity	5% ~ 85% (non-condensing)
IP Rating	IP67
Certification	CE, FCC, RoHS
Ambient Light Immunity	Sunshine: 10000 Lux, Incandescent lamp: 6000 Lux, Fluorescent lamp: 2000 Lux
Shock Resistance	Withstanding multiple impacts of falling from a height of 1.2 meter onto the cement floor (allowable deviation of 5°)
Readable Code Symbologies	1D, 2D and stacked codes that comply with national and international standards
Maximum Reading Accuracy	1D code: 3mil, 2D code: 4mil

## Reading Distance

Unit: (mm)

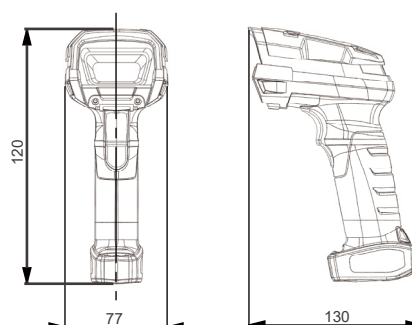
Barcode Spec.	Nearest	Farthest
3.34mil Code128	5	73
5mil Code128	5	82
10mil Code128	5	121
15mil Code128	5	150
5mil DataMatrix	5	51
6.67mil DataMatrix	5	72
10mil DataMatrix	5	93
15mil DataMatrix	5	111

## Standard Models Configuration Table

Model	Descriptions
HS3660-30-U-02A	HS3660 handheld wired barcode reader, DPM illumination, USB set, 2-meter USB cable
HS3660-30-R-02B	HS3660 handheld wired barcode reader, DPM illumination, RS232 set, 2-meter Serial cable, 5V power supply

## Dimensions

Unit: (mm)



Any change of the information in this document may not be with prior notice; even the content of this document has been carefully checked to ensure accuracy, there may still be some errors. The data involved in this document may differ due to environmental factors, Bilin Intelligence does not bear any consequences arising from this.



NANJING BILIN INTELLIGENT IDENTIFICATION TECHNOLOGY CO., LTD.

www.infoscan-cn.com

**infoscan**

ver: 20230718